

# Cweco

P.O. BOX 2456, GARDENA, CA 90247-0456

(800) 292-9326 OR (310) 538-9440--FAX:(800) 232-9326 OR (310) 715-9188

CW1480-18

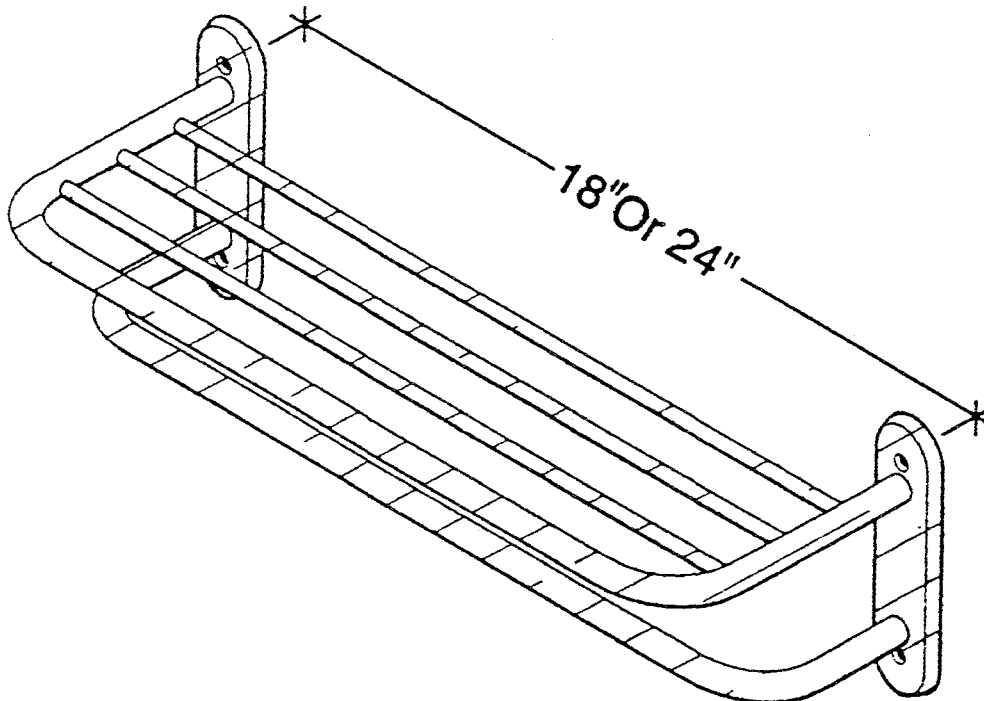
CW1480-24

## DELUXE TOWEL SUPPLY SHELF WITH DRYING ROD

Part number shall be \_\_\_\_\_

#CW1480-18

#CW1480-24



**CONSTRUCTION:** Deluxe Towel Supply Shelf with Bar is constructed of Chrome plated steel and comes packaged to be assembled complete with mounting screws. The overall height is 6 1/2" and the overall depth is 9" and the shelf widths available are 18" & 24". The towel bar protrudes 4".

**OPERATION:** Two mounting screws on each of the back plates provide extra strength to the foundation of the steel shelf and drying rod.

**INSTALLATION:** Secure to studs or solid backing with mounting screws (included) at holes provided.

**SPECIFICATION:** Towel supply shelf with drying rod shall have support brackets to allow maximum strength for the use of the supply shelf. The shelf rods, drying rod and back plates are to be chrome plated steel.

O.D. for 18"shelf=19"w x 6 1/4"h, & 24"shelf=25"w x 6 1/4"

6/02